

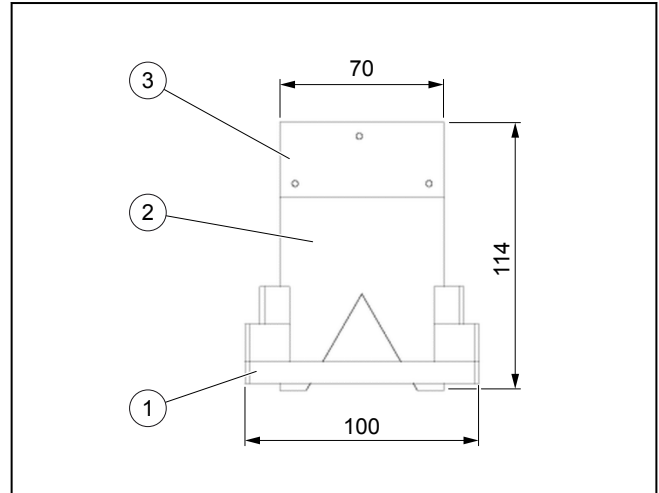
Product Information

Warner-Bratzler shear device

CTA: 168204 46768



Warner-Bratzler shear device



Notched cutting-edge, front view

- 1 Support frame
- 2 Blade, notched
- 3 Blade-holder

Applications

- Approximate simulation of the "bite behavior" (canine teeth) when eating fish, meat, pastries
- Determination of the tenderness/toughness of meat and fish products
- Determination of the shear behavior of pastries
- **Specimen material:**
Fish, meat, pastries

The specimen is placed on the base plate. The blade drives at a constant speed downward and cuts the specimen. The result provides the force, travel, or force time sequence from which the shear behavior is apparent.

Warner-Bratzler test

The Warner-Bratzler test was developed in 1932 by L.J. Bratzler in connection with a Master's thesis at the Kansas State University, Manhattan, and has been in use since the 1950s. The test provides information on the tenderness/toughness of meat and fish products and baked goods. The cutter blade simulates tooth corners during biting. Due to good result reproducibility the test is used very frequently and serves as a form of standard.

Advantages and features

- good result reproducibility means test is used very frequently and serves as a kind of 'standard'

Product Information

Warner-Bratzler shear device

Technical data

Slotted blade-guide

| Item No. | 320372 ¹⁾ | |
|---------------------|--|----|
| Type | Warner-Bratzler base frame | |
| Test load F_{max} | 0.5 | kN |
| Dimensions: | | |
| Height | 41 | mm |
| Width | 100 | mm |
| Depth | 90 | mm |
| Ambient temperature | +15 to +35 | °C |
| Lower connection | Blade guide is inserted and aligned in the universal work platform | |

1) A safety guard or safety device is required for this.

Accessories required

Straight cutting-edge

with wedge-shaped edge (with bevel)

| Item No. | 320374 ¹⁾ | |
|---------------------|----------------------|----|
| Test load F_{max} | 0.5 | kN |
| Connection | Ø 8 | mm |
| Dimensions | | |
| Height | 121 | mm |
| Width | 70 | mm |
| Thickness | 3 | mm |
| Ambient temperature | +15 to +35 | °C |

1) A safety guard or safety device is required for this.

Notched cutting edge (V-shaped)

with flat edge

| Item No. | 320376 ¹⁾ | |
|---------------------|----------------------|----|
| Test load F_{max} | 0.5 | kN |
| Connection | Ø 8 | mm |
| Dimensions | | |
| Height | 114 | mm |
| Width | 70 | mm |
| Thickness | 3 | mm |
| Ambient temperature | +15 to +35 | °C |

1) A safety guard or safety device is required for this.

- Universal Specimen Platform (Item No. 085019)