

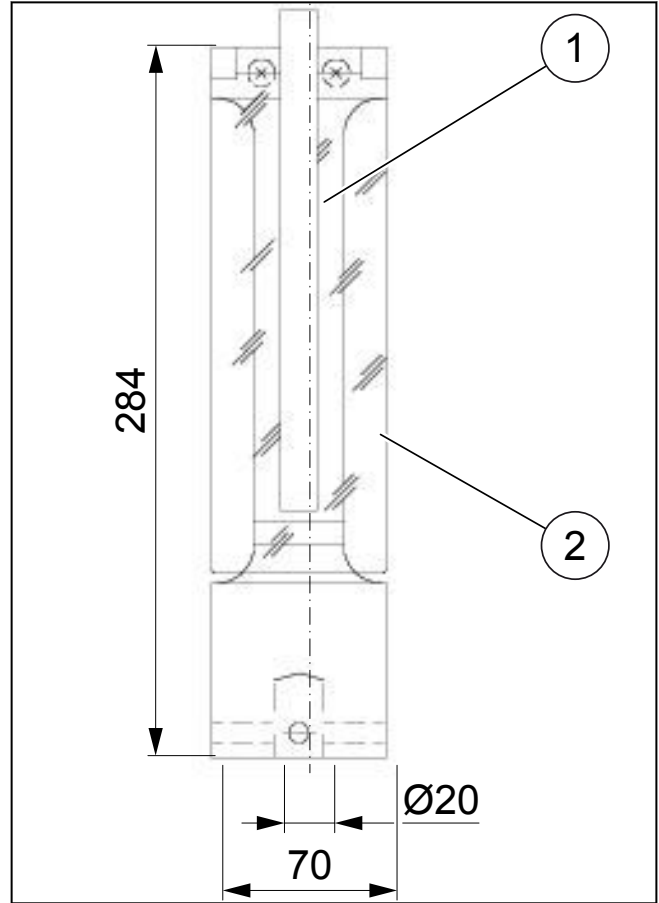
Product Information

Test device for self-adhesive insulating tapes

CTA: 72568 47986



Type 8133 screw grips



Test device for self-adhesive insulating tape, general view. Depth 40 mm.

1 Specimen

2 Glass plate, 200 x 70 mm (e.g. Item No. 318509)

180° peel tests from a flat plate to EN 1939, AFERA 4001, FINAT test methods Nos. 1 and 3

• **Specimen material:**

self-adhesive insulating tape, similar specimens

Product Information

Test device for self-adhesive insulating tapes

Technical data

Type Item no.	Peel test kit for self-adhesive insulating tapes 317133	
Test load (F_{max})	1	kN
Installation height	284	mm
Weight, approx.	2	kg
Ambient temperature	+10 to +35	°C
Lower connection	Mounting stud Ø 20 mm	

Accessories required

1x required

Description	Item number
Plate for peel tests with mount for attaching to the test device Polished metal, 200 x 70 mm	317135
Plate for peel tests with mount for attaching to the test device Polished metal, 200 x 70 mm, as per FINAT test methods Nos. 1 and 3 and EN 1939	319788
Plate for peel tests with mount for attaching to the test device Glass, 200 x 70 mm, as per FINAT test methods Nos. 1 and 3	318509