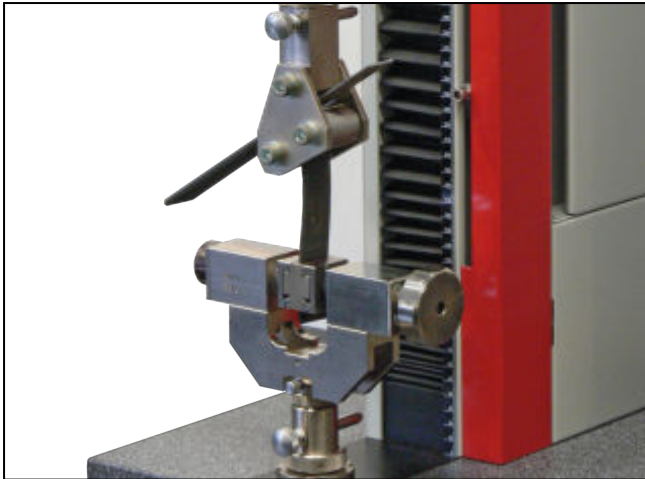


Product Information

Floating roller peel test devices

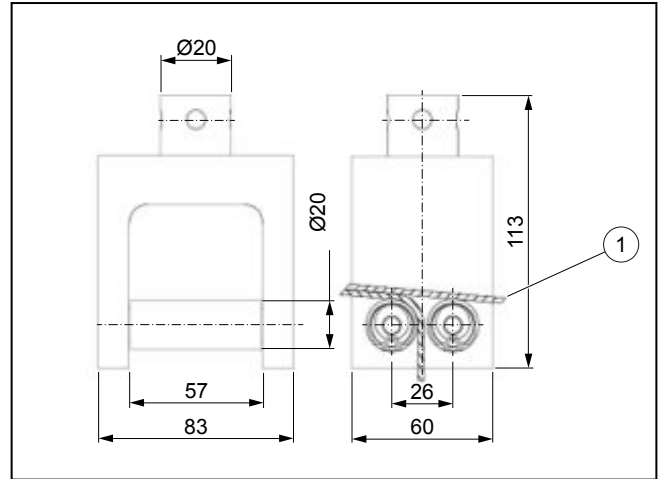
CTA: 44851 25598



Floating roller peel test device to DIN ISO 4578, DIN EN 1464, Airbus QVA-Z10-46-03

Applications

Measuring peel resistance in the floating roller peel test to DIN ISO 4578, DIN EN 1464, Airbus QVA-Z10-46-03, and EN 2243-2. For evaluation of adhesives that are used for high-strength bonding between rigid and flexible components.



Floating roller peel test device to DIN ISO 4578, DIN EN 1464, Airbus QVA-Z10-46-03

1 Specimen

Applications

90° peel tests to determine adhesive strengths to EN 1372 and historical standards DIN 16860 and DIN 53278

Product Information

Floating roller peel test devices

Technical data

Type Item No.	Floating roller peel test device 316241	Floating roller peel test device 318542	
Standards	<ul style="list-style-type: none"> • Airbus QVA-Z10-46-03 • DIN ISO 4578 • DIN EN 1464 • EN 2243-2 	<ul style="list-style-type: none"> • DIN EN 1372 • DIN 16860 (withdrawn) • DIN 53278 (replaced) 	
Test load F_{max}	2.5	2.5	kN
Mounting height	106.6	88	mm
Specimen width, max.	28	55	mm
Roller diameter	25	20	mm
Roller spacing	33	26	mm
Roller width	30	20	mm
Dimensions			
Width	57	60	mm
Height	107	113	mm
Depth	56	83	mm
Weight	0.7	1.9	kg
Ambient temperature	-40 ... +120	-40 ... +120	°C
Connection, upper	Mounting stud Ø 20 mm	Mounting stud Ø 20 mm	

Accessories required

- 1x specimen grips, e.g Type 8253 screw grips, F_{max} 2.5 kN, or Type 8222 pincer grips, F_{max} 2.5 kN, (connection Ø 20 mm in both cases)