

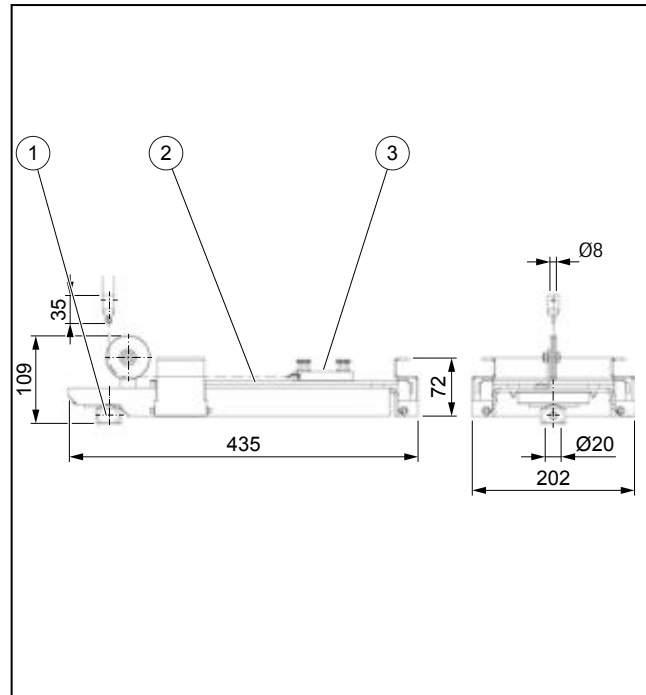
Product Information

Device for testing the frictional properties of plastic films

CTA: 73283 47737



Device for testing the frictional properties of plastic films



Fixture for testing the frictional properties of plastic films, overview

- 1** Connector \varnothing 20 mm
- 2** Stainless steel table and mirror glass plate
- 3** Friction block

Applications

For determination of the static and dynamic coefficient of friction to ISO 8295, ASTM D1894, ASTM D2534, TAPPI T549, TAPPI T664 su64 and DIN 53375 (with-drawn)

• Specimen material:

Plastic films, paper, board

Function description

The test fixture can be used to determine the frictional behavior between foils, as well as between a foil and sheet material (stainless steel or glass).

A film is clamped on the carriage. A second film can be clamped to the stainless steel test table or onto the

included glass plate, which is placed on the stainless steel table.

Advantages and features

- The testing machine can be used for multiple types of test, including tensile, tear growth and puncture tests.
- The glass plate clamping system enables rapid clamping of the film.
- The mirror-glass table is interchangeable.
- Various carriages are available.
- The usual applications are in a force range from 10 mN to 50 N.

Product Information

Device for testing the frictional properties of plastic films

Technical data

Type Item No.	Friction test fixture 316251	
Dimensions Table	300 x 150	mm
Ambient temperature	+10 ... +35	°C
Connection, upper	Mounting stud Ø 8 mm	
Connection, lower	Mounting stud Ø 20 mm	
Scope of delivery	Mirror glass table for placing the specimens, deflection roller, upper connector with hook eye, spring (for ISO 8295), lower connector Ø 20 ^{H7}	

Accessories required

1 x required

Description	Item number
Carriage with clamping To ISO 8295, DIN 53375 (withdrawn), weight: 200 ±2 g, surface: felt, 63 x 63 mm	316253
Carriage with clamping To ASTM D2534 and TAPPI T664 su64, weight: 180 ±1 g, surface: glass, 25 x 75 mm	316255
Carriage with clamping To ASTM D1894 and TAPPI T549, weight: 200 ±5 g, surface: foam, 63.5 x 63.5 mm	1028256